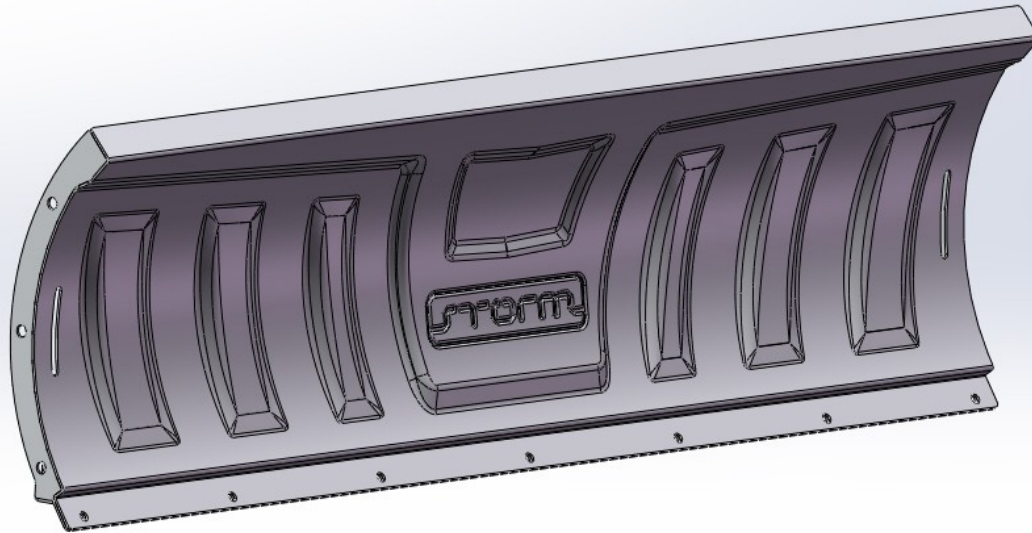




Universal snow plow with your logo



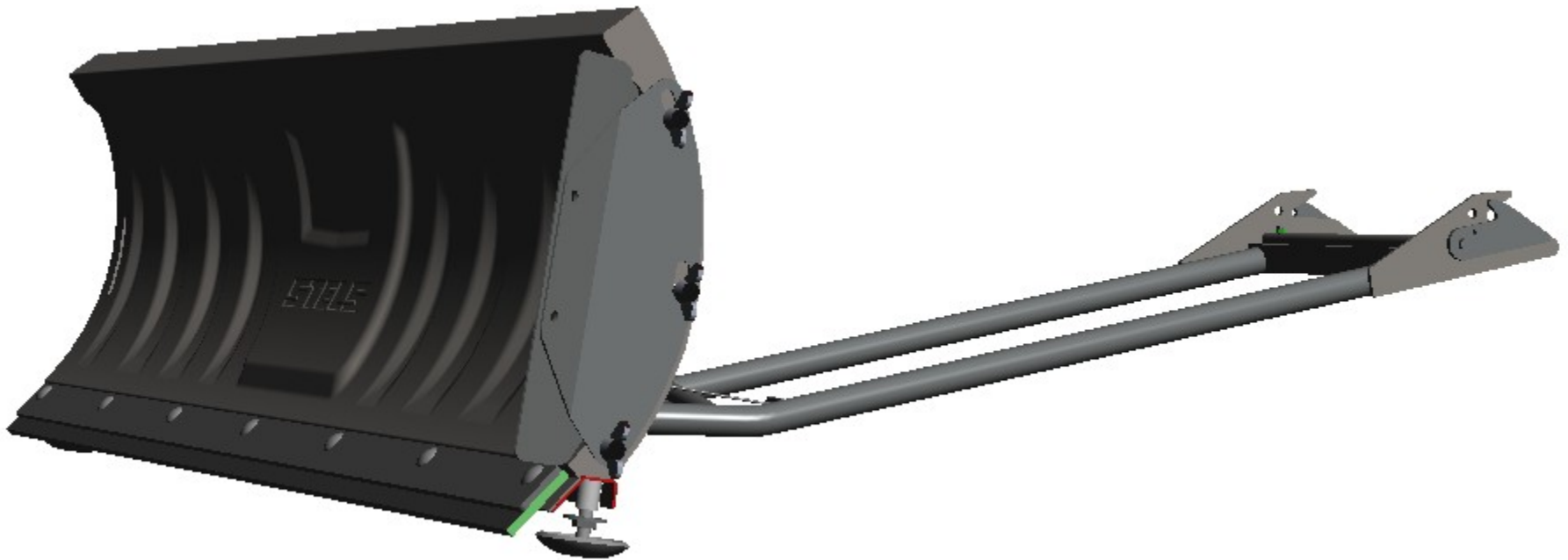
Advantages of new snow plow

- ✓ **More attractive appearance of stamped snow plow in comparison with simple bent counterparts**
- ✓ **Presence of your logo creates customer`s confidence in quality of the product**
- ✓ **Molded stiffeners provide extra rigidity and allow to reduce weight of snow plow**



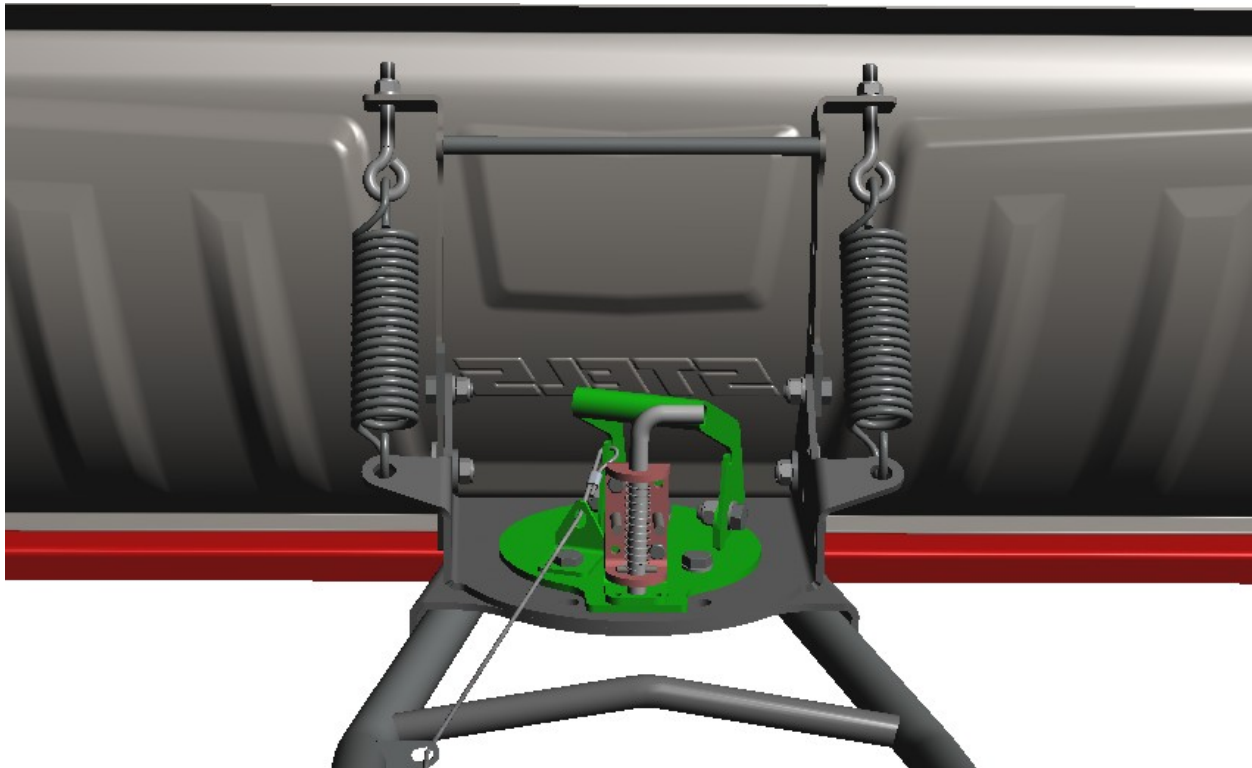
Advantages of new snow plow

- ✔ **Removable rubber strip protects the surface to be cleaned from damage**
- ✔ **Quick-detachable side stop provides maximum cleaning efficiency**
- ✔ **Height adjustable sliding supports**
- ✔ **Width 1500 mm**



Advantages of new snow plow

- ✔ **Quick attach kit as an additional option – allows dealer to receive additional income**
- ✔ **Return springs for protection of ATV frame from impacts**
- ✔ **Adjusting angle of rotation (5 positions), and angle of attack (3 polling)**
- ✔ **Ergonomic handle for lifting the blade**



Advantages of new snow plow

